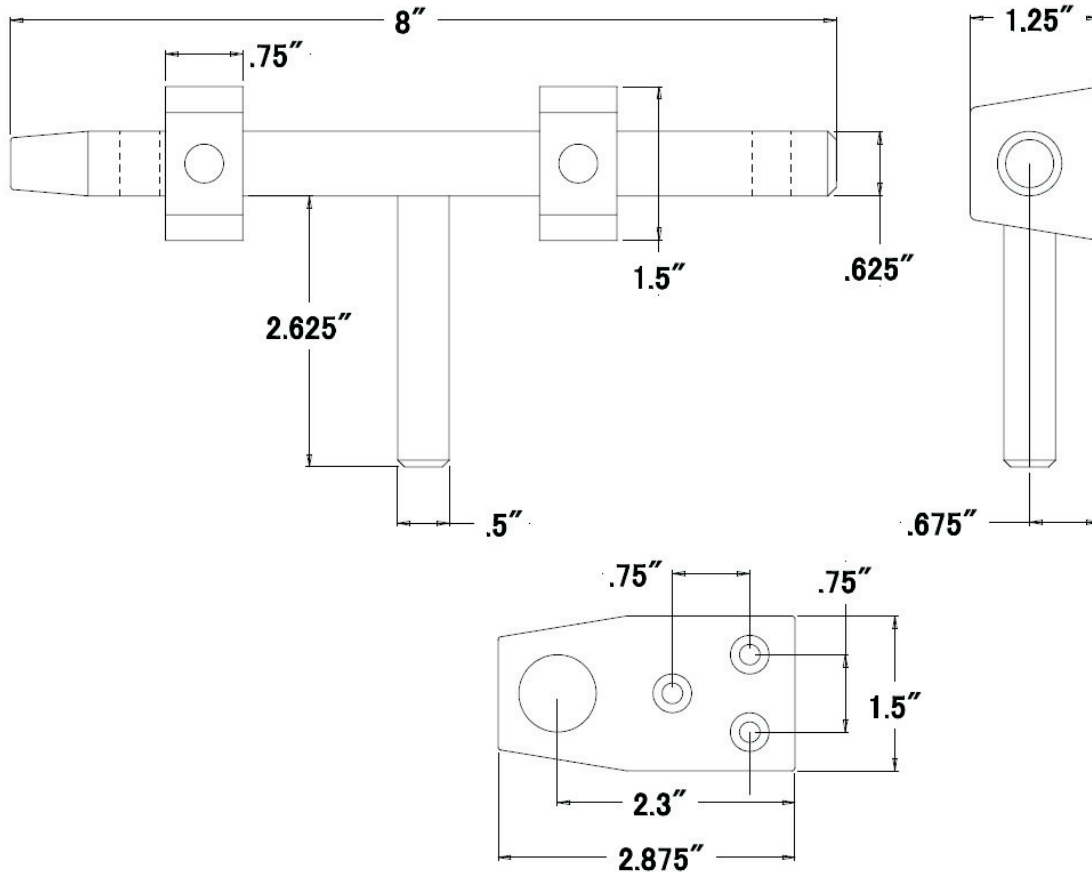


Lockable Contemporary Stainless Steel Slide Bolt



Material: 316 Stainless Steel
Finishes Available: Brushed Finish
Set Includes: Mounting hardware

Dimensions:

Bolt Length: 8"
 Handle: 2-5/8"
 Bolt diameter: 5/8"
 Strike: 2-7/8"l x 1-1/2"w x 3/16"thick
 Bolt throws: 2" to 2-1/4"

Fits gates: Any thickness
Operable: From one side
Suitable for: In-swinging, Out-swinging
Handing: Note required
Lockable: With added padlock

Item#: LDSB01

360yardware
 life's too short for crummy hardware

www.360yardware.com
 Phone: 866.923.9273

Email: sales@360yardware.com

Description: Lockable Contemporary Slide Bolt

Material/Finish: 316 Stainless Steel