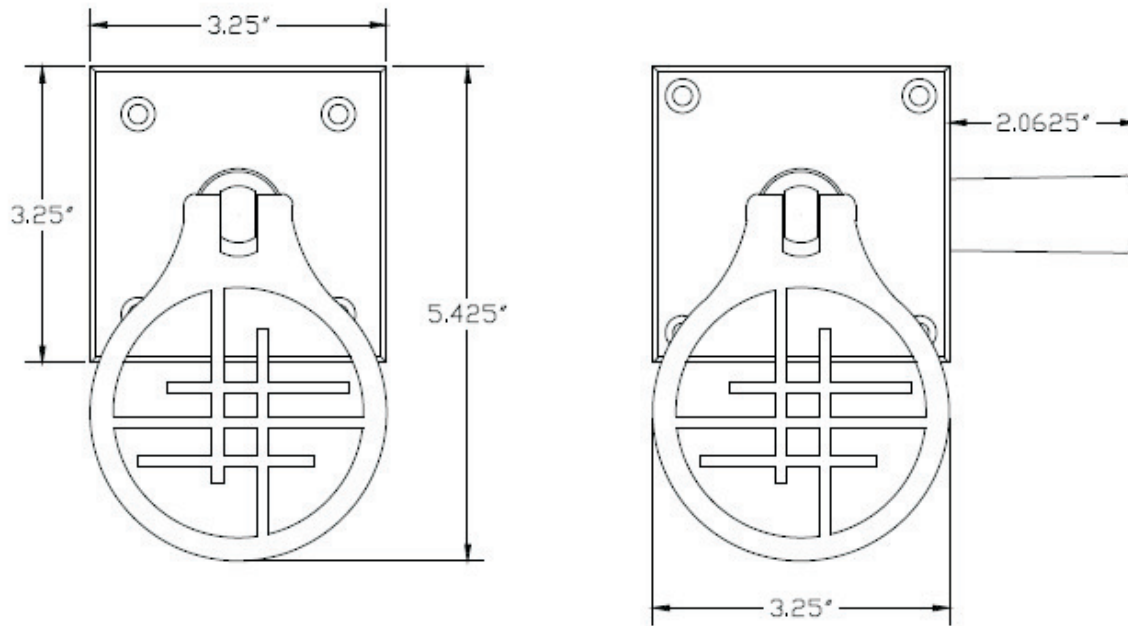
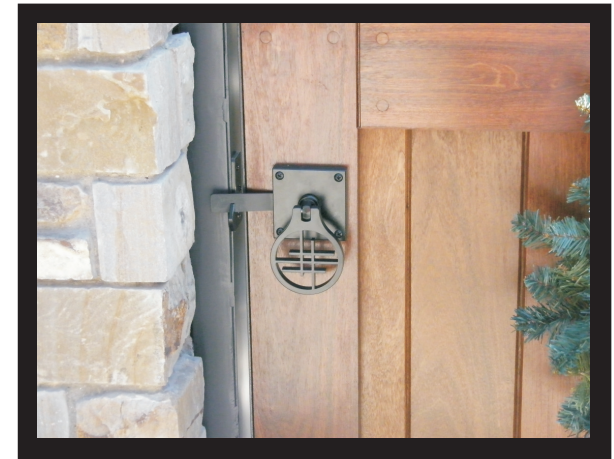


Asian-Inspired Ring Latch

Stainless Steel & Aluminum



Note: Latch Projection From Face of Gate
1.66"



Material: Stainless Steel & Aluminum
Finishes Available: Satin Black powder coat
Set Includes: Mounting hardware

Dimensions:

Plate: 3-1/4" square
 Handle: 3-1/4" w at the widest point
 Latch-arm length: 3-11/16" from center
 of plate to end of arm. Arm extends 2.0625"
 from edge of plate to end of arm.
 Strike: 3-1/4"h x 1-1/2"w x 3/16"thick
 Projection: 1-5/8"

Item#: LDASA

360yardware

life's too short for crummy hardware

www.360yardware.com

Phone: 866.923.9273

Email: sales@360yardware.com

Description: Asian-Inspired Ring Latch

Material/Finish: Stainless Steel & Aluminum