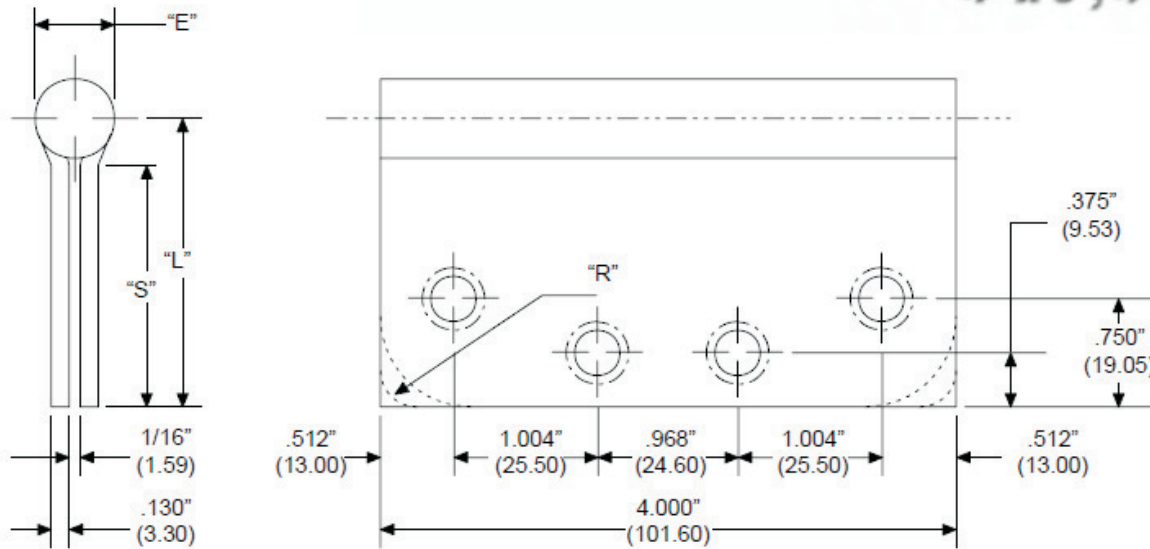


4" x 4" Ball-Bearing Hinge

Stainless Steel Commercial Grade



Material: 302/304 Stainless Steel
Finishes Available: Brushed Finish
Set Includes: Mounting hardware
Manufacturer: PBB
Sold As: Each

Dimensions:
 Leaf: 4.0" x 4.0" x .130"
 Barrel: .550" diameter
Item#: BB51

Part Number		Gauge of Metal	"E" Outside Dia.	"L" Leaf Width	"S" Swage Line	"R" Corner Radius
Steel	Brass					
BB81/CB81	BB21/CB21	.130"	.550"	2.00"	1.67"	Square, 1/4", 5/8"

360yardware
 life's too short for crummy hardware

www.360yardware.com
 Phone: 866.923.9273

Email: sales@360yardware.com

Description: 4" x 4" Heavy Duty Ball-Bearing Butt Hinge

Material/Finish: 302/304 Stainless Steel